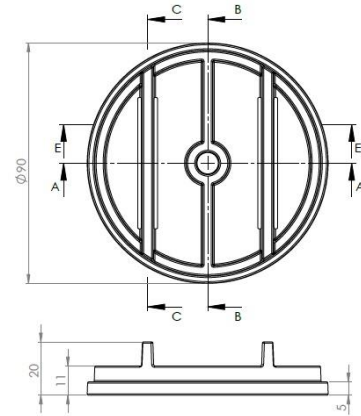
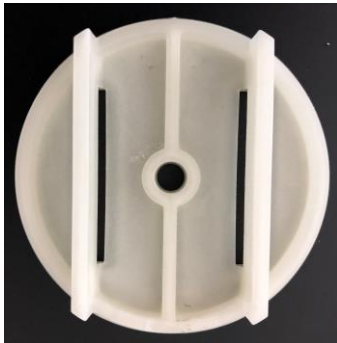


ROSET voor spouwanker



- Name: **Roset voor spouwanker.**
- Mould number: 4071
- Product code: Roset 3
- Application: Building sector
- Drawing nr / data: 1 / 20171208
- Dimensions: Diameter 90 mm / Total height 20 mm.
- Weight: 44 gram.

- Material: PPH + 30% FIBER (First grade materials)
- Colour: Neutral

- Quality control: Dimensional stability and tensile strength

- Waste disposal: Disposal in compliance to the local rules and legislation, for waste of residues / not used products, as well as contaminated packaging. Recycling is always possible.

- Packaging : standard with wrapping foil and top sheet.
 - Box type: B138 600*400*230
 - Quantity per box: 200
 - Gross weight per box: 10 100 gram
 - Net weight per box: 8 800 gram
 - Products per pallet: 6 400 pc
 - Pallet size: 800*1200

Other information:

- This document supersedes all previous.
- Didak Injection NV Industrieweg 1 2280 Grobbendonk Belgium
info@didak.be Tel +32 14 507960 Fax +32 14 501318 BE 0428.125.831
- ISO 9001/2015 certified